

# LIMIT SWITCH

## Features

- High precision and metal die-casting body.
- Easy to wire connection construction.
- High mechanical strength.
- Dust-proof construction.



## Specifications

Item	Standard
Rating	5A, 125V or 250VAC
Contact Resistance	25mΩ max.(initial)
Insulation Resistance	100MΩ min. (at 500VDC)
Dielectric Strength	1,000VAC,50/60Hz for 1 minute
Service Life Mechanically:	1,000,000 operations min.
Service Life Electrically	100,000 operations min.

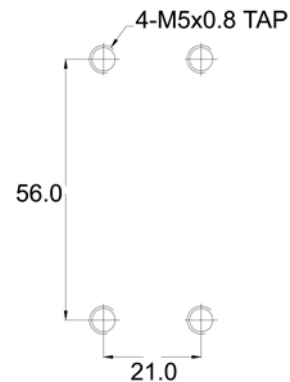
## Product Selection

AH   
1

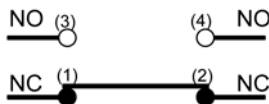
### HEAD AND ACTUATOR

- 8111: Push plunger type
- 8112: Roller plunger type
- 8122: Roller plunger type angle 90°
- 8104: Roller arm type
- 8107: Rod lever type
- 8108: Adjustable roller arm type (standard roller)
- 8166:Thermoplastic end flexible rod type
- 8169:Cat whisker type
- 9101:Wobble opening

## Mounting Hole



## Contact Configuration



**HIGHLY**

C5

Design, specifications are subject to change without notice.

# LIMIT SWITCH

## Operating Characteristics

Unit :mm

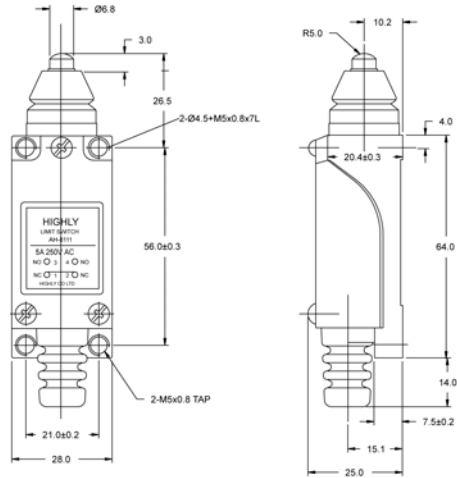
Item NO.

Dimensions

AH8111



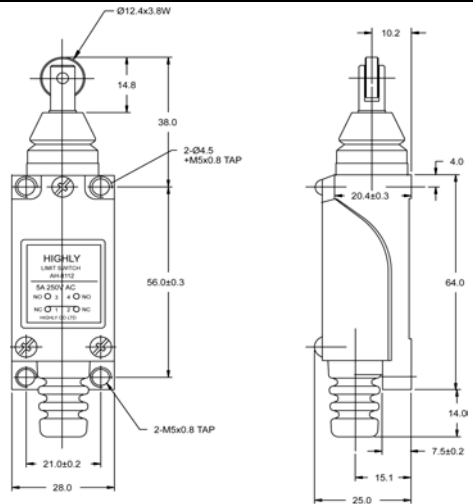
OF max.	900g
RF min.	150g
PT max.	1.5mm
MD max.	0.7mm
OT min.	4mm
TT min.	5.5mm



AH8112



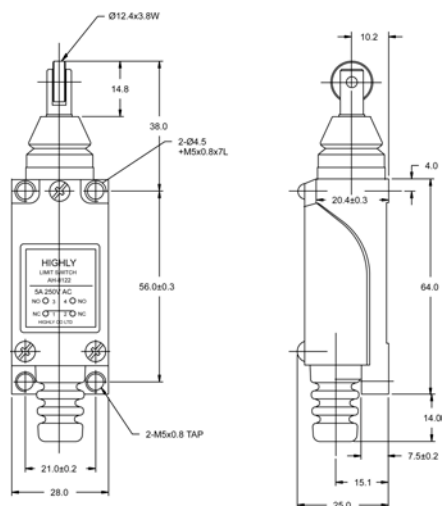
OF max.	900g
RF min.	150g
PT max.	1.5mm
MD max.	0.7mm
OT min.	4mm
TT min.	5.5mm



AH8122



OF max.	900g
RF min.	150g
PT max.	1.5mm
MD max.	0.7mm
OT min.	4mm
TT min.	5.5mm



# LIMIT SWITCH

## Operating Characteristics

Unit :mm

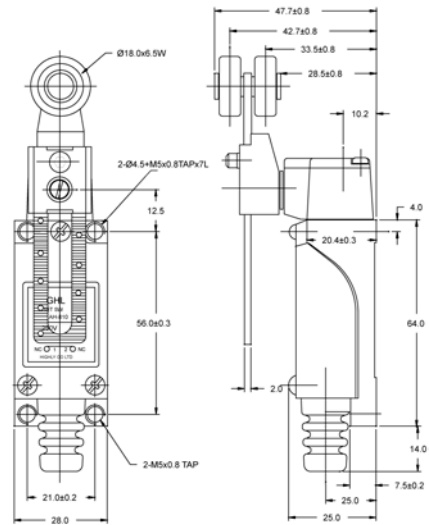
Item NO.

Dimensions

AH8104



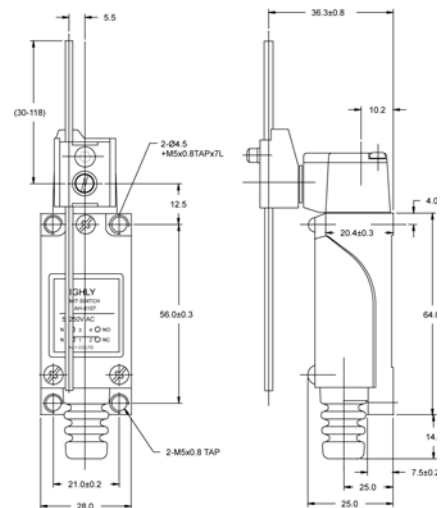
OF max.	600g
RF min.	50g
PT max.	20°
MD max.	10°
OT min.	75°
TT min.	95°



AH8107



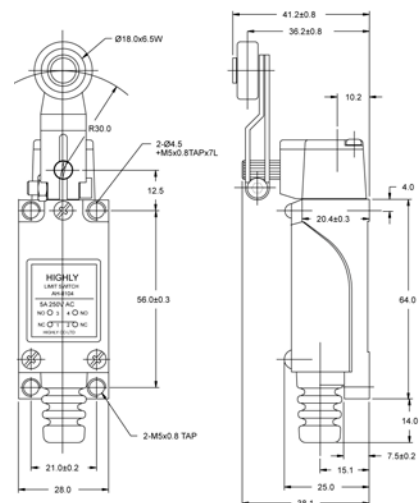
OF	800-230g
RF	50-12g
PT max.	20°
MD max.	10°
OT min.	75°
TT min.	95°



AH8108



OF	800-342g
RF	50-12g
PT max.	20°
MD max.	10°
OT min.	75°
TT min.	95°



# LIMIT SWITCH

## Operating Characteristics

Unit :mm

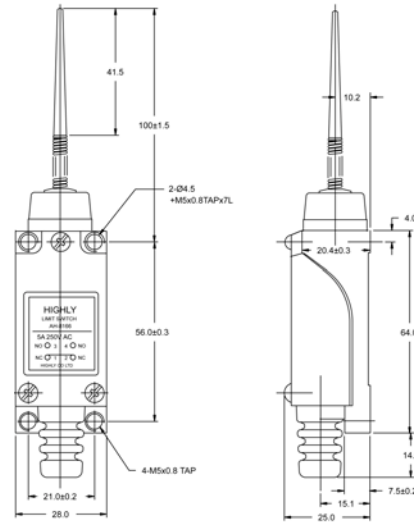
Item NO.

Dimensions

**AH8166**



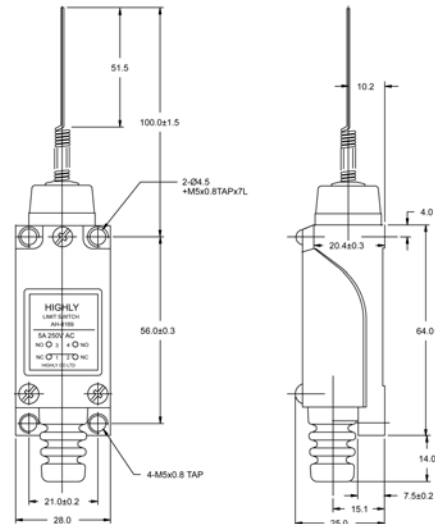
OF max.	900g
RF min.	--
PT max.	30mm
MD max.	--
OT min.	20mm
TT min.	50mm



**AH8169**



OF max.	900g
RF min.	--
PT max.	30mm
MD max.	--
OT min.	20mm
TT min.	50mm



**AH9101**



OF max.	900g
RF min.	--
PT max.	30mm
MD max.	--
OT min.	20mm
TT min.	50mm

