

PUSH BUTTON SWITCH

Features

- The power switch conforms to safety standards for electrical equipment.
- A superior space factor by reducing the depth dimension.
- The snap-in type for easy mounting.
- The color can be changed to correspond to the set design.



Specifications

Item	Standard
Rating	1A 125VAC
Contact Resistance	50mΩ max. (initial)
Insulation Resistance	100MΩ min.(at 500V DC)
Dielectric Strength	1000VAC, 60/50Hz for 1 minute.
Service Life	Mechanically: 100,000 operations min. Electrically: 50,000 operations min.

Product Selection

PB101 -
1 2

1. FUNCTION

A: ON-(OFF)

B: OFF-(ON)

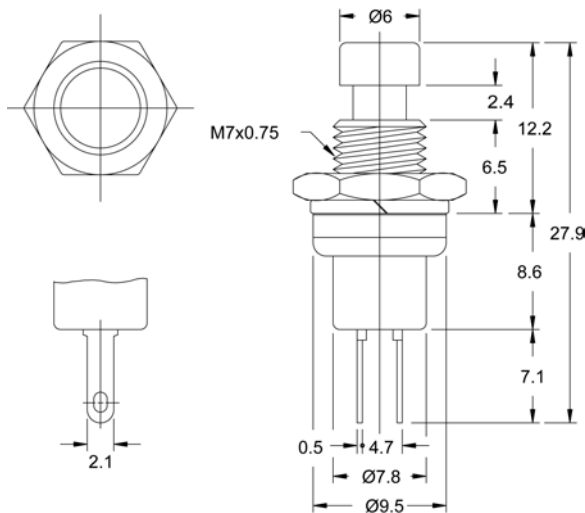
()=MOMENTARY

2.BUTTON COLORS

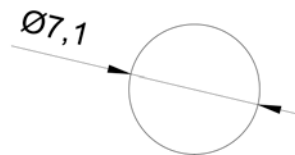
R: Red

B: Black

Dimensions



Panel hole size



HIGHLY

G4

Design, specifications are subject to change without notice.