

PUSH BUTTON SWITCH

Features

- The power switch conforms to safety standards for electrical equipment.
- A superior space factor by reducing the depth dimension.
- The snap-in type for easy mounting.
- The color can be changed to correspond to the set design.

Specifications

Item	Standard
Rating	3A 125VAC
Contact Resistance	50mΩ max. (initial)
Insulation Resistance	100MΩ min.(at 500V DC)
Dielectric Strength	1000VAC, 60/50Hz for 1 minute.
Service Life	Mechanically: 100,000 operations min. Electrically: 50,000 operations min.

Product selection

PB
1 2 3

1. ACTUATOR TYPES

- 301 Big Round
- 302 Big Sexangle
- 303 Square
- 304 Small Sexangle
- 305 Round
- 308 Rectangle

2. FUNCTION

- A: ON-OFF
- B: OFF-(ON)
- C: ON -(OFF)
- ()=MOMENTARY

3. BUTTON COLORS

- R: Red
- O: Orange
- Y: Yellow
- G: Green
- BL: Blue
- B: Black
- W: White

Dimensions

unit : mm

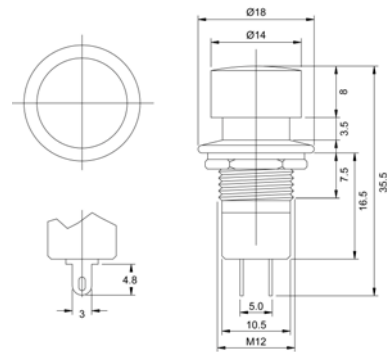
Item NO.

Dimensions

PB-301



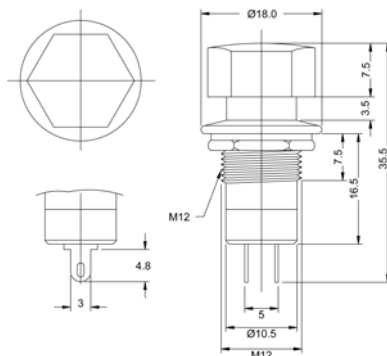
- PB-301A ON-OFF
- PB-301B OFF-(ON)
- PB-301C ON-(OFF)



PB-302



- PB-302A ON-OFF
- PB-302B OFF-(ON)
- PB-302C ON-(OFF)



HIGHLY

G2

Design, specifications are subject to change without notice.

PUSH BUTTON SWITCH

Dimensions

unit : mm

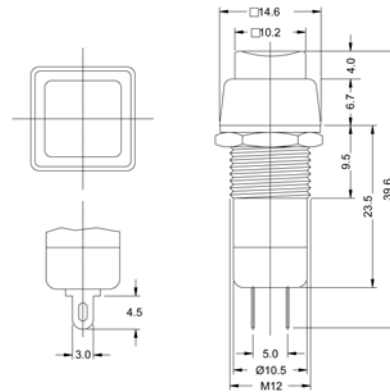
Item NO.

Dimensions

PB-303



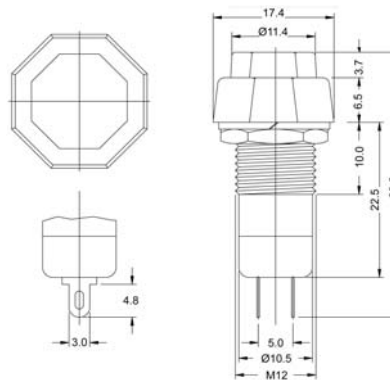
- PB-303A ON-OFF**
- PB-303B OFF-(ON)**
- PB-303C ON-(OFF)**



PB-304



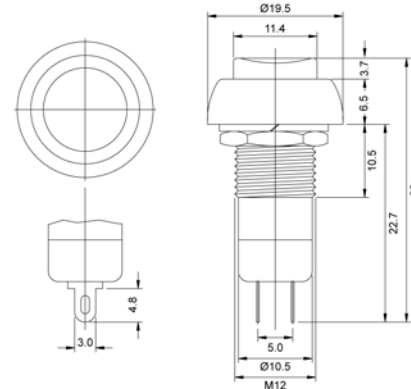
- PB-304A ON-OFF**
- PB-304B OFF-(ON)**
- PB-304C ON-(OFF)**



PB-305



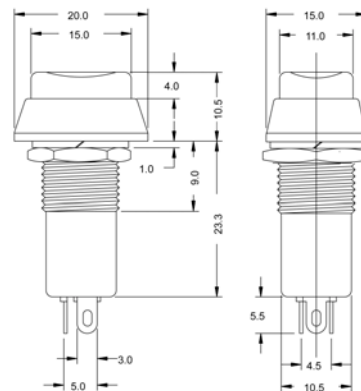
- PB-305A ON-OFF**
- PB-305B OFF-(ON)**
- PB-305C ON-(OFF)**



PB-308



- PB-308A ON-OFF**
- PB-308B OFF-(ON)**
- PB-308C ON-(OFF)**



HIGHLY

G3

Design, specifications are subject to change without notice.