

PUSH BUTTON SWITCH

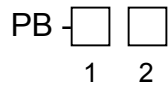
Features

- The power switch conforms to safety standards for electrical equipment.
- A superior space factor by reducing the depth dimension.
- The snap-in type for easy mounting.
- The color can be changed to correspond to the set design.

Specifications

Item	Standard
Rating	1A 125VAC
Contact Resistance	50mΩ max. (initial)
Insulation Resistance	100MΩ min.(at 500V DC)
Dielectric Strength	1000VAC, 60/50Hz for 1 minute.
Service Life	Mechanically: 100,000 operations min. Electrically: 50,000 operations min.

Product selection



1. FUNCTION

307B OFF-(ON)

309A ON-OFF

() = Momentary

2.BUTTON COLORS

R: Red

O: Orange

Y: Yellow

G: Green


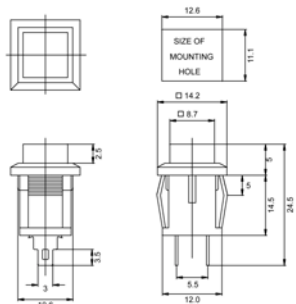

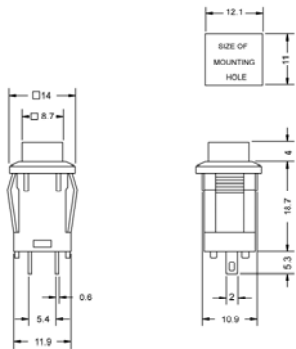
BL: Blue

B: Black

W: White

Dimensions

unit : mm

Item NO.	Dimensions
<p>PB-307</p> 	
<p>PB-309</p> 	

HIGHLY

G5

Design, specifications are subject to change without notice.