


# ROCKER SWITCH

## Features

- Power switch conforms to safety standards for electrical equipment.
- Compact with a good space factor.
- Snap-in type for easy mounting.
- The color can be changed to correspond to the set design.



E88392 

## Applications

- Information and office equipment such as personal computers, word processors, facsimiles, monitors, etc.

## Specifications

ITEM	STANDARD
Rating	10A 125V AC/ 6A 250V AC, 4A 125VAC/2A 250VAC
Insulation Resistance	100MΩ min (DC 500V)
Dielectric Strength	AC 1500V (50/60Hz for 1 minute)
Contact Resistance	50mΩ max.
Electrically Life	10,000 cycle
Operating Force	400±200 gf

## Product Selection

R9

SERIES

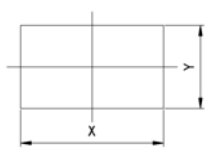
FUNCTION

CODE	FUNCTION
2□A	ON OFF
3□B	ON ON
2□C	ON OFF ON
3□D	(ON - OFF)
3□E	(ON) - ON
3□F	(ON)-OFF-(ON)
2□AL	ON OFF (With LED)
32ALP	ON OFF (With Lamp)

ACTUATOR MARKING OPTION

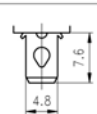
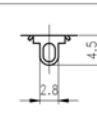
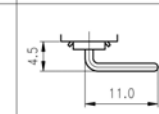
CODE	MARKING
N	NONE
P	— ○
Q	○
R	●
S	○
T	z ○ ll o ○ ll

PANEL HOLE SIZE



PANEL THICKNESS	DIM. X	DIM. Y
0.75 ~ 1.25	19.2	13.0
1.25 ~ 2.0	19.4	13.0
2.0 ~ 3.0	19.6	13.0

## Terminal Type

TERMINAL TYPE					
CODE	TERMINAL	CODE	TERMINAL	CODE	TERMINAL
2 PIN		3 Soldering		4 PCB	

**HIGHLY**


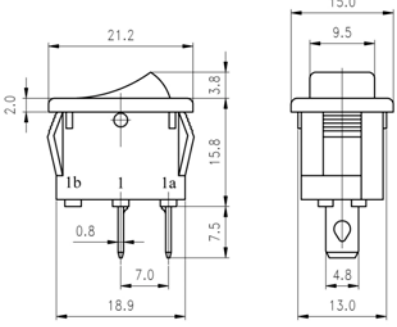
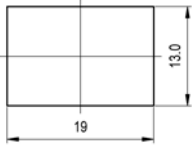


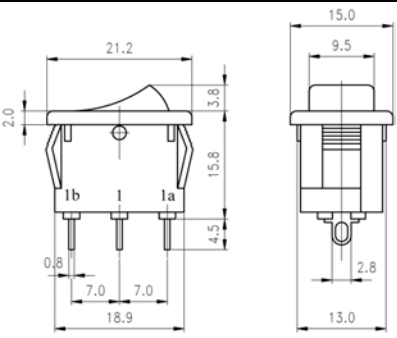



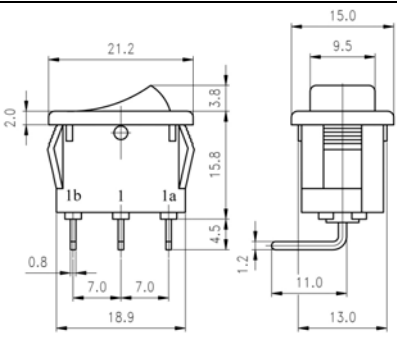
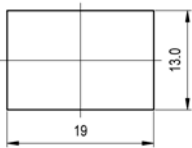
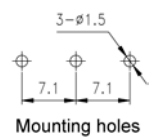


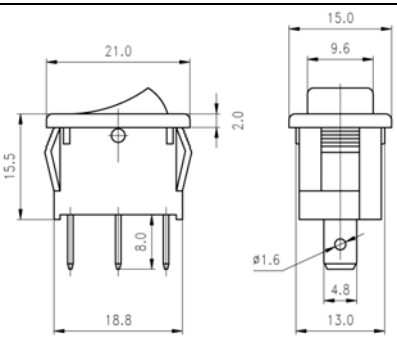
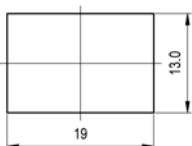

F1

Design, specifications are subject to change without notice.

# ROCKER SWITCH

## Dimensions

UNIT:mm

Item NO.	Dimensions	Function	Circuit												
<b>R9-22A</b>	 	<table border="1"> <tr><th colspan="2">SWITCHING FUNCTION</th></tr> <tr><td></td><td></td></tr> <tr><td>OFF</td><td>ON</td></tr> </table> <p>Panel hole size</p> 	SWITCHING FUNCTION				OFF	ON							
SWITCHING FUNCTION															
OFF	ON														
<b>R9-33B</b>	 	<table border="1"> <tr><th colspan="2">SWITCHING FUNCTION</th></tr> <tr><td></td><td></td></tr> <tr><td>ON</td><td>ON</td></tr> </table> <p>Panel hole size</p> 	SWITCHING FUNCTION				ON	ON							
SWITCHING FUNCTION															
ON	ON														
<b>R9-24A</b>	 	<table border="1"> <tr><th colspan="3">SWITCHING FUNCTION</th></tr> <tr><td></td><td></td><td></td></tr> <tr><td>ON</td><td>NONE</td><td>ON</td></tr> </table> <p>Panel hole size</p>  <p>Mounting holes</p> 	SWITCHING FUNCTION						ON	NONE	ON				
SWITCHING FUNCTION															
ON	NONE	ON													
<b>R9-32F</b>	 	<table border="1"> <tr><th colspan="3">SWITCHING FUNCTION</th></tr> <tr><th>CODE</th><td></td><td></td></tr> <tr><td>OFF</td><td>ON</td><td>OFF</td></tr> <tr><td>ALP</td><td>ON</td><td>OFF (With LAMP)</td></tr> </table> <p>Panel hole size</p> 	SWITCHING FUNCTION			CODE			OFF	ON	OFF	ALP	ON	OFF (With LAMP)	
SWITCHING FUNCTION															
CODE															
OFF	ON	OFF													
ALP	ON	OFF (With LAMP)													

**HIGHLY**

F2

Design, specifications are subject to change without notice.