

LIMIT SWITCH

Features

- High precision and metal die-casting body.
- Easy to wire connection construction.
- High mechanical strength.
- Dust-proof construction.



Specifications

Item	Standard
Rating	10A, 125V or 250VAC
Contact Resistance	25mΩ max.(initial)
Insulation Resistance	100MΩ min. (at 500VDC)
Dielectric Strength	1,000VAC,50/60Hz for 1 minute
Service Life Mechanically	1,000,000 operations min.
Service Life Electrically	100,000 operations min.

Product Selection

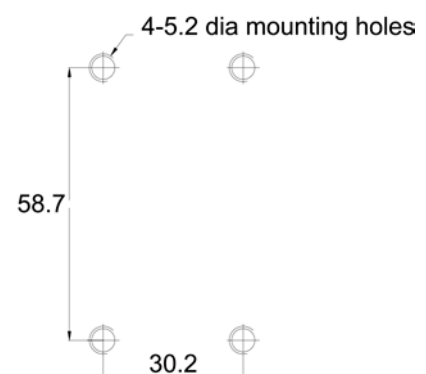
WL

1

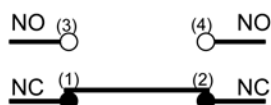
HEAD AND ACTUATOR

- 5101:** Push plunger type
- 5102:** Roller plunger type
- 5104:** Roller arm type
- 5105:** Duble roller arm type
- 5106:** Wobble stick type
- 5107:** Rod lever type
- 5108:** Adjustable roller arm type (standard roller)
- 5109:** Push plunger type

Mounting Hole



Contact Configuration



C1

Design, specifications are subject to change without notice.

LIMIT SWITCH

Operating Characteristics

Unit :mm

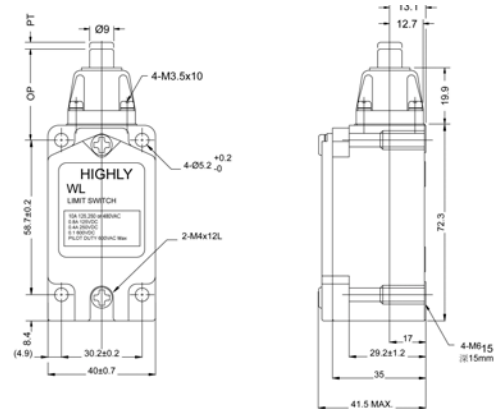
Item NO.

Dimensions

WL5101



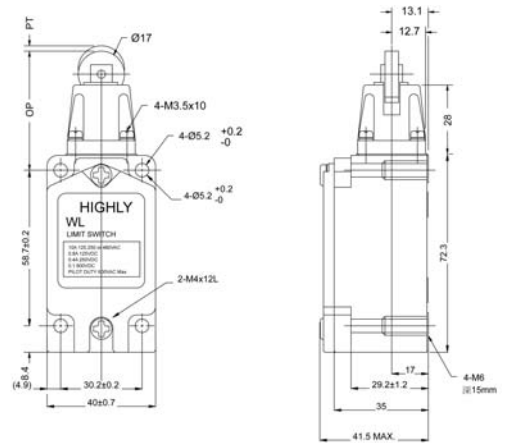
Terminal	Item No.
OF max.	2,720g
RF min.	910g
PT max.	1.7mm
OT min.	6.4mm
MD max.	1mm
TF max.	--
TT/OP min.	34±0.8mm



WL5102



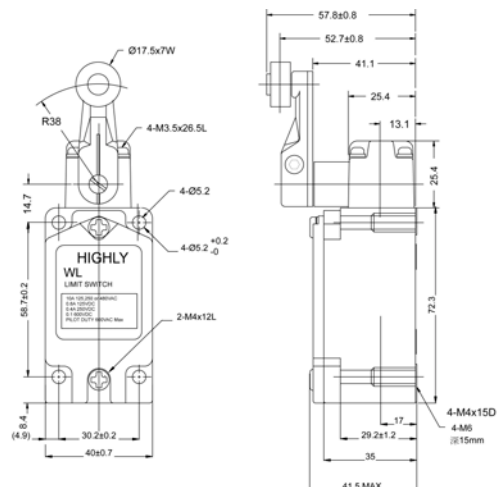
Terminal	Item No.
OF max.	2,720g
RF min.	910g
PT max.	1.7mm
OT min.	5.6mm
MD max.	1mm
TF max.	--
TT/OP min.	44±0.8mm



WL5104



Terminal	Item No.
OF max.	1360g
RF min.	227g
PT max.	20°
OT min.	30°
MD max.	12°
TF max.	2,720g
TT/OP min.	50°



C1

Design, specifications are subject to change without notice.

LIMIT SWITCH

Operating Characteristics

Unit :mm

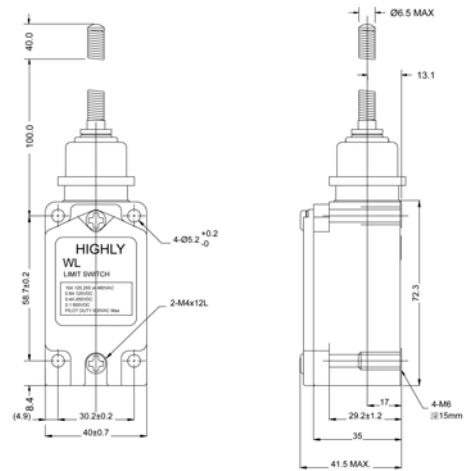
Item NO.

Dimensions

WL5106



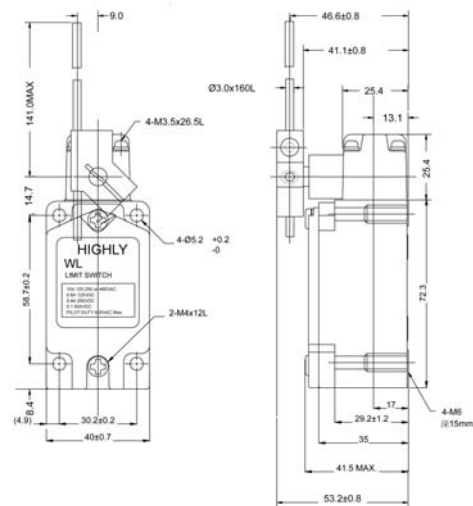
Terminal	Item No.
OF max.	150g
RF min.	--
PT max.	28mm
OT min.	28mm
MD max.	--
TF max.	--
TT/OP min.	--



WL5107



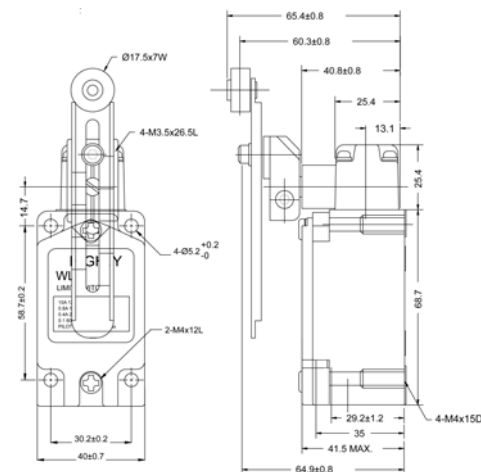
Terminal	Item No.
OF max.	1,360g
RF min.	227g
PT max.	22°
OT min.	30°
MD max.	12
TF max.	2,720g
TT/OP min.	50°*



WL5108



Terminal	Item No.
OF max.	142g
RF min.	28g
PT max.	20°
OT min.	30°
MD max.	12°
TF max.	200g
TT/OP min.	50°



C1

Design, specifications are subject to change without notice.

LIMIT SWITCH

Operating Characteristics

Unit :mm

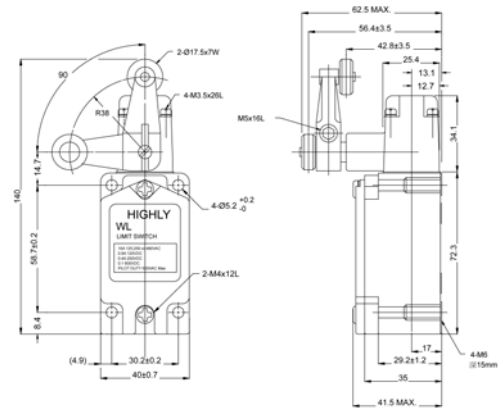
Item NO.

Dimensions

WL5105



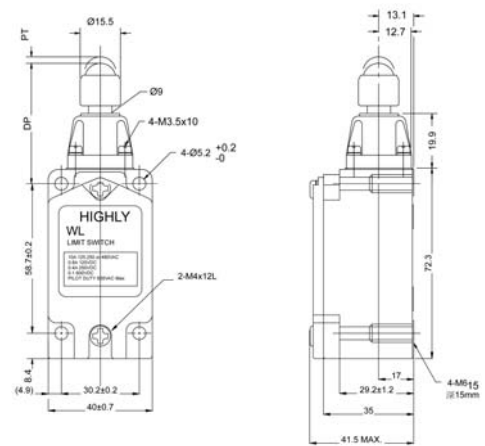
Terminal	Item No.
OF max.	1,200g
RF min.	--
PT max.	50°±5°
OT min.	35°
MD max.	--
TF max.	--
TT/OP min.	90°±10°



WL5109



Terminal	Item No.
OF max.	2,720g
RF min.	910g
PT max.	1.7mm
OT min.	6.4mm
MD max.	1mm
TF max.	--
TT/OP min.	44±0.8mm



Overtravel type

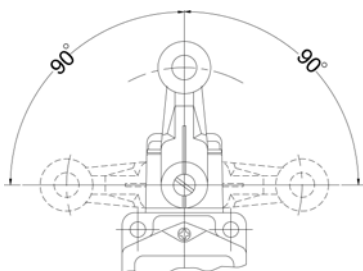
The overtravel type is a limit switch which is provided with a greater OT to facilitate dog setting. Since this type is identical to the Basic Type in dimensions, both types are interchangeable.

-2 Series

The head of -2 series switch can be installed in any of the four directions.

90° operation on only one side – impossible

90° operation on either side - possible



Operating Characteristics	Type	WL 5104-2	WL 5108-2	WL 5107-2
	OF (max.)		900g	900g
RF (min.)		50g	50g	14g
PT (max.)		30°	30°	30°
OT (min.)		60°	60°	60°
MD (max.)		16°	16°	16°

HIGHLY

C1

Design, specifications are subject to change without notice.